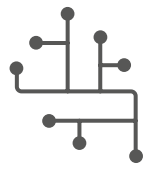


Functional electronic coatings

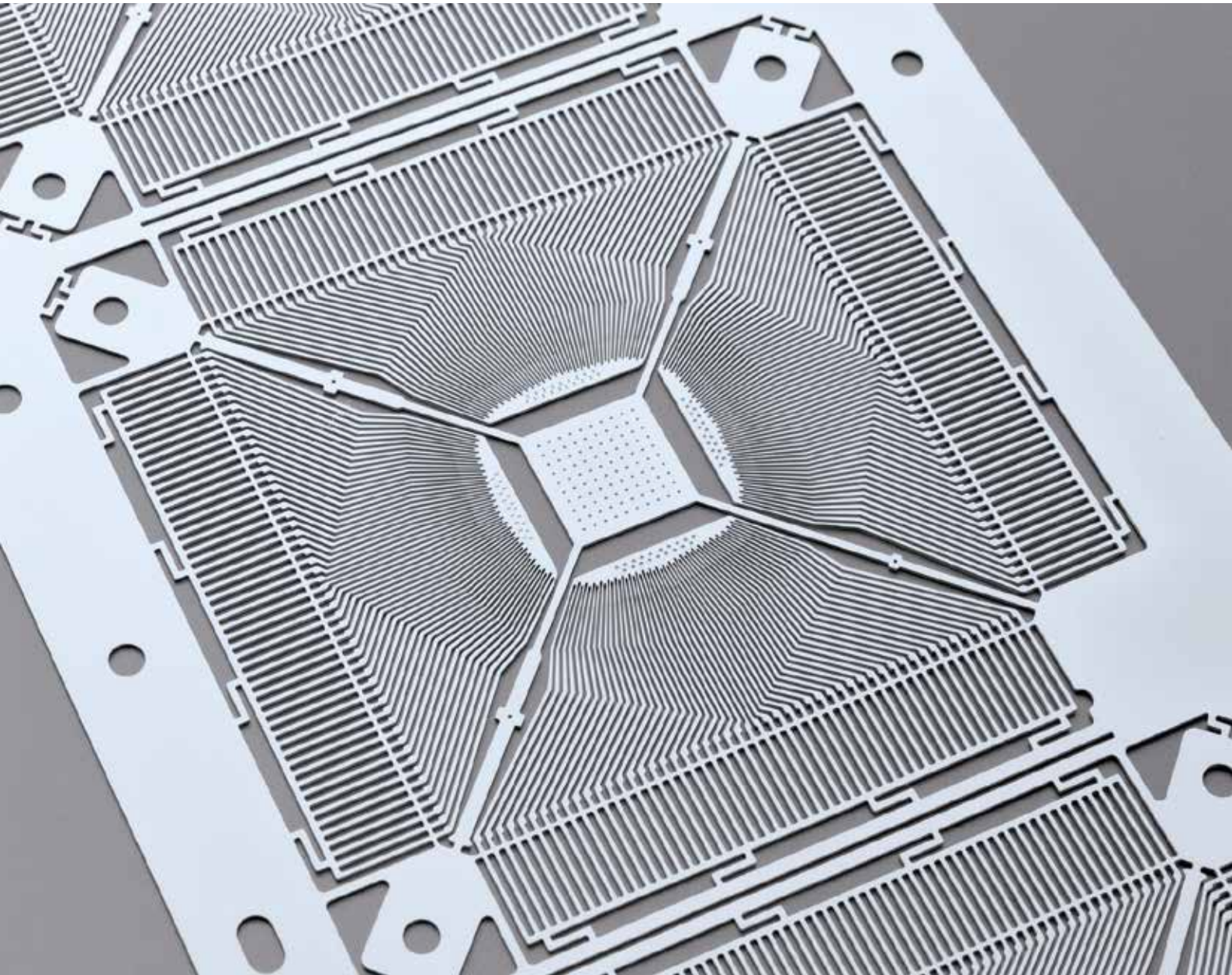


Surface technologies for the electrical
and electronic industries

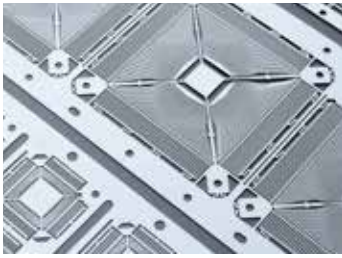
Electronics

Functional electronic coatings

atotech.com



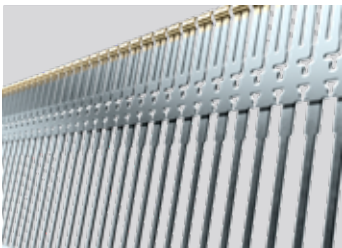
Our broad solutions portfolio



Lead frames



LEDs



Connectors



IC



3D MID

Cables, micro wave guides, sliding contacts, bus bars and more

Technology application	Process	Atotech solution
Lead Frames	Cleaners	Puronon and Electroglow
	Adhesion promotion	MoldPrep, AgPrep
	Epoxy bleed out	Anti-EBO T family
	Tin plating	Stannopure® and Niveostan® (matt and semi bright)
	Nickel and NIP plating	+Ni Sulphamate HS and Novoplate HS
	PdNi plating	Pallacor HSN Plus
	Silver plating	Silvertech HS
	Post-treatment	SuperDip®, Protectostan®
LEDs	High GAM Ag plating	Silvertech LED family
	Copper plating	Cupracid LED
	Protection	Argalin® family
Connectors	Cleaners	Puronon and Electroglow
	Nickel and NIP plating	Ni Sulphamate HS and Novoplate HS
	Hard Gold (Co, Ni or Fe alloyed)	Aurocor® HSC, HSN and HSF
	Ag plating	Argalux® NC (non cyanide) Silvertech® HS (low cyanide)
	Tin plating	Stannopure® and Niveostan® (matt and semi-bright) Stannolume (bright)
	Rh/Ru plating	Rhodilloy, Ruthentech and Rhodetech
	Protection	Argalin® family, Betatec®, Protectostan®
IC	Tin plating	Stannopure®
	Deflashing	Deflash
	Protection	Protectostan®
3D MID	Cleaners	MID Cleaners
	Activation	Cupralux INI, Cupralux 38
	Ni Activation	MID Activator
	E'less Nickel	MID Nickel MP
	Immersion Gold	MID Gold
	Protection	Betatec®

End markets and industries we serve



Smartphone



Automotive electronics



Computing



Big data infrastructure



Consumer electronics



Communication infrastructure

Atotech Group
Erasmusstraße 20
10553 Berlin – Germany
+49 30 349 85 0
info@atotech.com

Global head office



atotech.com