

# Zintek® ONE HP

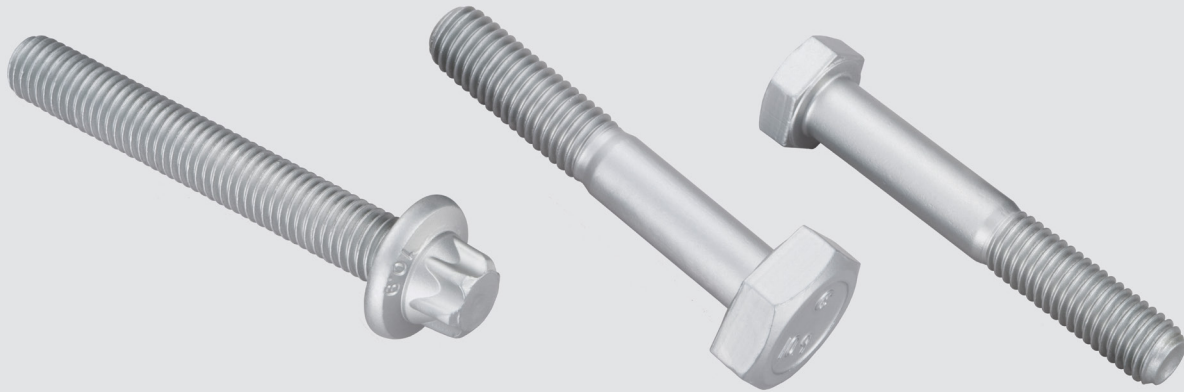
## Zinc flake base coat



General Metal Finishing

Zinc flake coatings

atotech.com



## Superior protection with ONE coat

### Economic choice – Best-in-class single layer base coat

MKS' Atotech silver zinc flake base coat eliminates the need for a second coat without compromising on performance. Zintek® ONE HP uses just one zinc flake layer to deliver exceptional quality coating up to 720 h NSST. Standard zinc flake base coats often require a costly and time-intensive second coating step. Zintek® ONE HP only needs one coat and is therefore designed to reduce processing and handling costs, energy consumption and coating line occupancy. This makes Zintek® ONE HP a cost-effective alternative to multi-layer zinc flake applications, hot-dip galvanizing and even electroplated corrosion protection finishes.

### Corrosion resistance

Base coat	Top coat	Durability
6 - 8 µm	-	720 h*
6 - 8 µm	2 µm	>1,000 h*

Corrosion resistance acc. to \*ISO 9227 and layer thickness may vary depending on part geometry, substrate and application method.

### Features and benefits

- Inorganic silver zinc flake base coat
- One layer system
- Excellent cathodic corrosion protection
- Reliable corrosion protection of 720 h\* NSST with only one coat (6 – 8 µm)
- Very good adhesion and wear resistance
- Attractive alternative to multi-layer zinc flake coatings, hot-dip galvanizing and plating finishes
- No hydrogen embrittlement
- Free of harmful heavy metals such as Cr(VI), cadmium, cobalt, lead or nickel
- Combinable with Atotech's top coats
- Reducing operating cost and processing time compared to standard two layer coatings

# Zintek® ONE HP

## Silver inorganic base coat

### Application

---

- Dip-spin

### Parts (application)

---

- Fasteners
- Stamping parts
- Brake components
- Springs

### Coefficient of friction

---

- No defined coefficient of friction ( $\mu_{tot}$ )

### Top coat combinations

---

- With inorganic Zintek® Top
- With organic Techseal®
- With organic Techdip®

### Application parameters

---

- Application viscosity: 80 – 120 sec
- Curing time: 20 – 45 min
- Curing temperature: 220 – 240 °C
- Recommended 30 min at 230 °C object temperature with application viscosity of 90 – 110 sec

### Technical data

---

- Delivery density: 1.47 – 1.62 g/cm<sup>3</sup> (at 23 °C)
- Stability in sealed drums: 24 months
- Theoretical coverage rate: 30 m<sup>2</sup>/kg (based on 7 µm dry film)

### Corrosion performance (7 µm layer thickness)



0 h



480 h\*



720 h\*

